

FEATURES

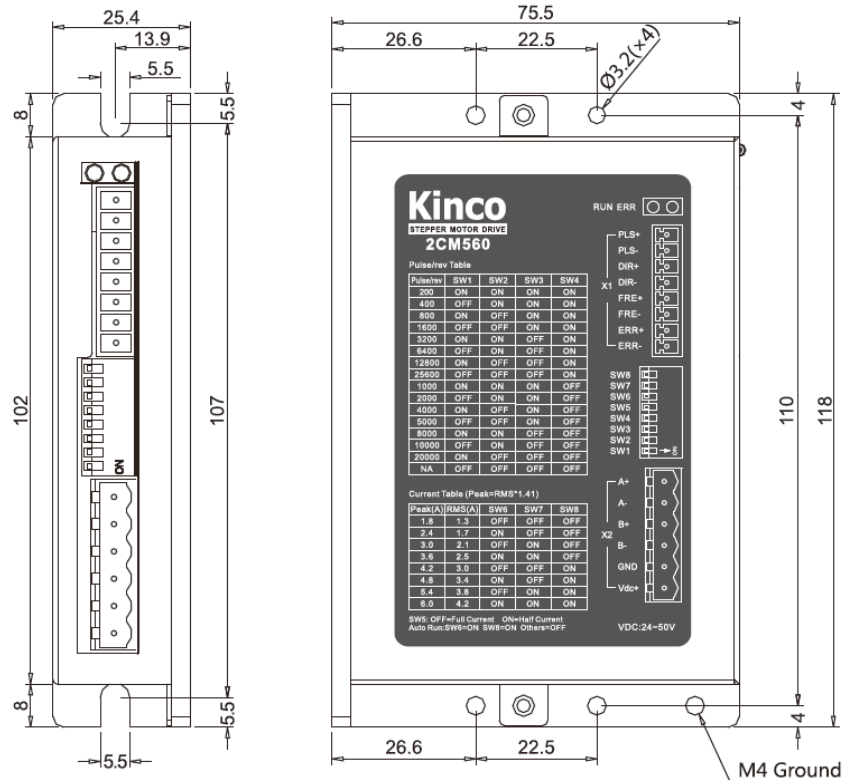
- Supply Voltage 24 ~ 50V DC
- Over Voltage Protection Above 85VDC
- Low Voltage Protection Below 15VDC
- Cooling Method (Cooling by Air)
- Operation Temperature 0° ~ +40°
- Operating Humidity 85% RH (No-Condensing or Water Drops)
- Weight 0.25Kg
- Communications;RS232/RS422/RS485



DESCRIPTION

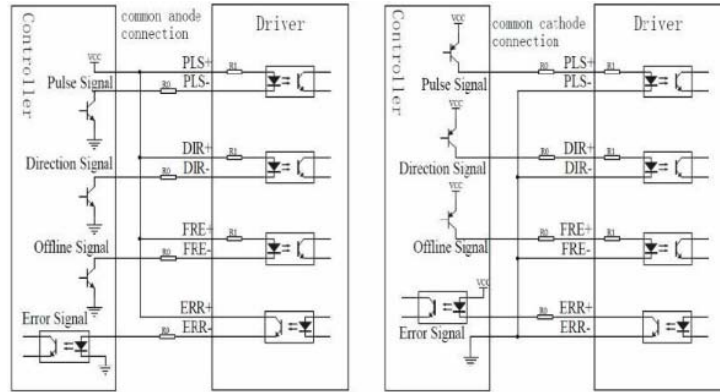
The 2CM560 Series Stepper Driver provides improved dynamic drive performance. This series drive accepts 24~50VDC input, with up to 8.0 Amps per phase, and provides users with a step resolution of up to 25,600 steps per revolution. As an additional feature, this drive provides users with the ability to select an auto reduce current setting which helps reduce power consumption and motor heat, which improves motor lifetime. Also the isolation inputs helps minimize interference from external electrical equipment as well as improving performance.

DIMENSIONS

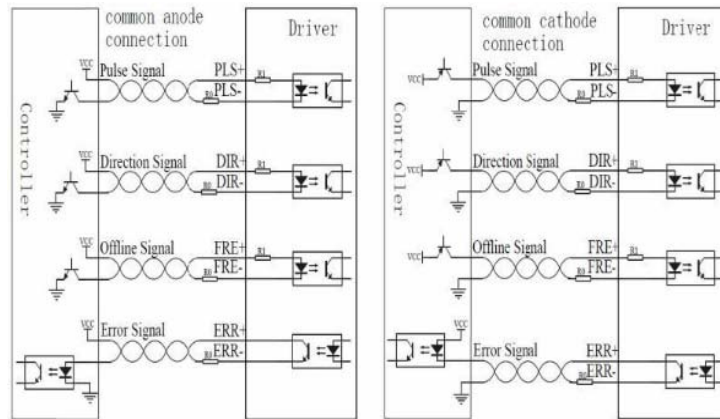


(Units Are In mm)

L011348



General Wiring Diagram



Twisted Wiring Diagram

Micro Step Setting (Unit: Pulse/Rev)					Current Setting (Unit: A)				
SW1	SW2	SW3	SW4=ON	SW4=OFF	SW6	SW7	SW8	RMS	PEAK
ON	ON	ON	200	1000	ON	ON	ON	4.2	6
OFF	ON	ON	400	2000	OFF	ON	ON	3.8	5.4
ON	OFF	ON	800	4000	ON	OFF	ON	3.4	4.8
OFF	OFF	ON	1600	5000	OFF	OFF	ON	3	4.2
ON	ON	OFF	3200	8000	ON	ON	OFF	2.5	3.6
OFF	ON	OFF	6400	10000	OFF	ON	OFF	2.1	3
ON	OFF	OFF	12800	20000	ON	OFF	OFF	1.7	2.4
OFF	OFF	OFF	25600	NA	OFF	OFF	OFF	1.3	1.8

Function	Settings	Description
Pulse and Direction input	SW6,SW7=ON; Others OFF	1. Power off the driver and set the function first.
Dual-pulse input	SW7,SW8=ON; Others OFF	2. Power on the driver. The indicator LED status is RUN LED is blinking slowly and Error LED is on constantly, which means the setting is successful.
Disable micro step dynamic position filter	SW5,SW6=ON; Others OFF	
Enable micro step position filter	SW5,SW7=ON; Others OFF	3. Power off the driver, set micro step and current, then power on.

L011348

Technical Specifications	
Supply Voltage	24VDC~50VDC
Over-Voltage Protection	Above 85VDC
Under-Voltage Protection	Below 15VDC
Phase Current	1.8 to 6 (Unit: A)
Micro Step	200~25600 Pulse/Rev, Total 15 Different Micro Steps
Adaptable Motor	57 flange, 2-Phase Hybrid Stepper Motor
Input Signal	PLS(CW), DIR(CCW), FREE Signal; Input Voltage: 5~24VDC, Input Current: 8mA@5VDC, 12mA@24VDC
Output Signal	ERR, Open Connector Output, Maximum Current: 100mA
Control Signal Mode	PLS+DIR; dual-pulse CW/CCW
Automatic Half Current	The Driver Will Reduce Phase Current of the Motor by A Half in 1.5 Seconds
Protection	Over/low Voltage Alarm, Over Current Alarm and Overheat Protection

Technical Specifications (Environment)	
Cooling Method	Cooling by Air
Operation Environment	Avoid the Environment with Great Amount of Metallic Powder, Oil Mist, or Erosive Gases
Operation Humidity	85%, RH (Non-Condensing or Water Drops)
Operation Temperature	0° C - +40° C
Storage Temperature	-20° C~ +70° C
Weight (Net)	0.25Kg
Dimensions	118x75.5x25.4 mm
Ingress Protection	IP20